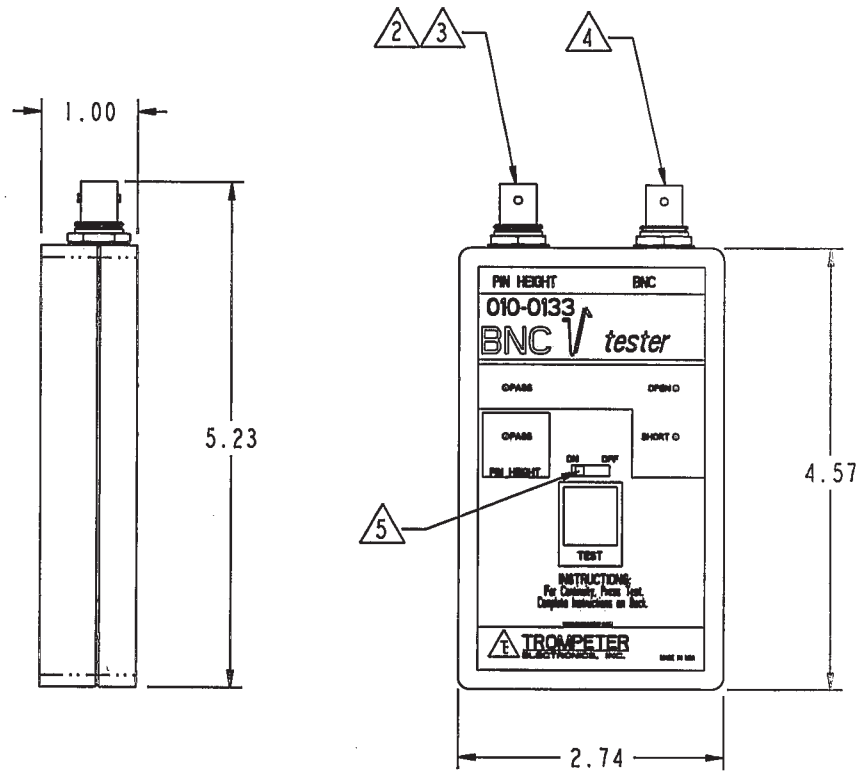
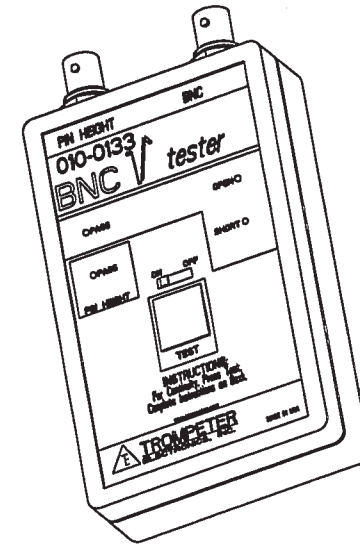


DATA CONTAINED IN THIS DOCUMENT IS PROPRIETARY TO TROMPETER ELECTRONICS INC. AND SHALL NOT BE DISCLOSED, COPIED OR USED FOR PROCUREMENT OR MANUFACTURE WITHOUT EXPRESS WRITTEN PERMISSION.

REVISIONS			
REV	DESCRIPTIONS	DATE	APPROVED
F	REVISED PER ECO 15600	8-19-04	WJ



RED INDICATES ORIGINAL



5 TO PRESERVE BATTERY, SWITCH TO OFF POSITION WHEN NOT IN USE

4 USE 105-1885 ADAPTER FOR TESTING MINI-WECO CONNECTOR

3 USE 010-0133-101 GO/NO-GO GAGE TO ASSURE PROPER CALIBRATION OF PIN HEIGHT TESTER

2 PIN HEIGHT TO INDICATE "PASS" WHEN CONTACT IS .034 (MIN) SET BACK BEHIND SPRING FINGER; "FAIL" WHEN CONTACT IS .039 (MAX) SET BACK BEHIND SPRING FINGER

1. TESTER FOR PROPER ASSEMBLY OF BNC COAXIAL PLUGS, WITH CAPABILITY OF DETECTING CENTER CONTACT PIN HEIGHT, CONTINUITY, AND SHORT OR OPEN CIRCUIT

NOTES: UNLESS OTHERWISE SPECIFIED.

INTERPRET DRAWING PER MIL-STD-100. DIMENSIONS ARE IN INCHES AND INCLUDE FINISH THICKNESS UNLESS OTHERWISE SPECIFIED.		TOL: UNLESS SPECIFIED. .XX ± .06			
DRN	TK	8-5-04	MATERIAL:		
CHK	AAH	8-6-04	FINISH:	BNC TESTER (ELECTRICAL)	REV. F
QUALITY	CP5	8-19-04			
MANU	BP	8-18-04	SCALE	A 14949	010-0133
APPROVED	WJ	8/16/04	DO NOT SCALE DWG	DATE	12-17-97
PROJ. FILE NO.	010-0133	NEXT ASSY		SHEET	1 OF 3

Mouser Electronics

Authorized Distributor

Click to View Pricing, Inventory, Delivery & Lifecycle Information:

[Emerson Connectivity Solutions:](#)

[010-0133](#)